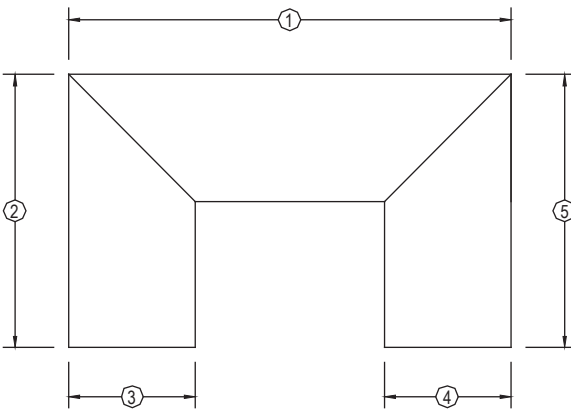
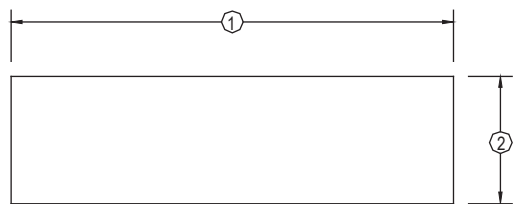
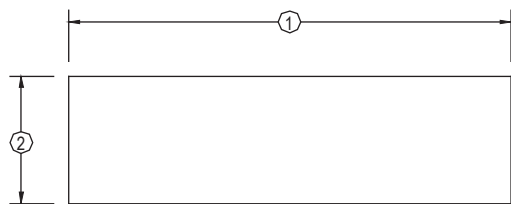
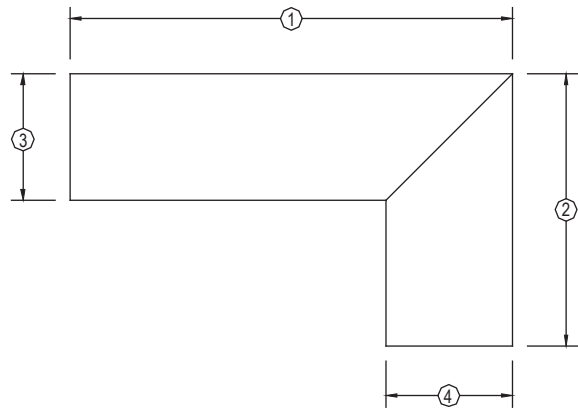
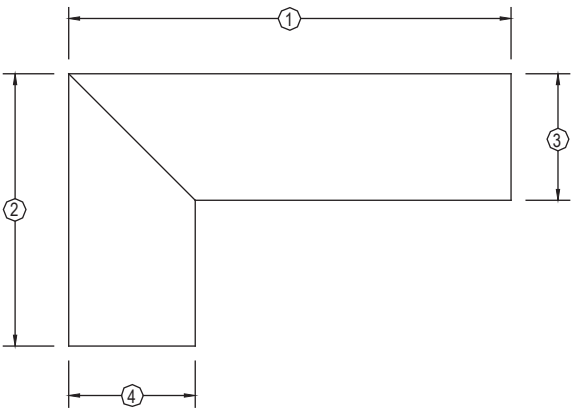
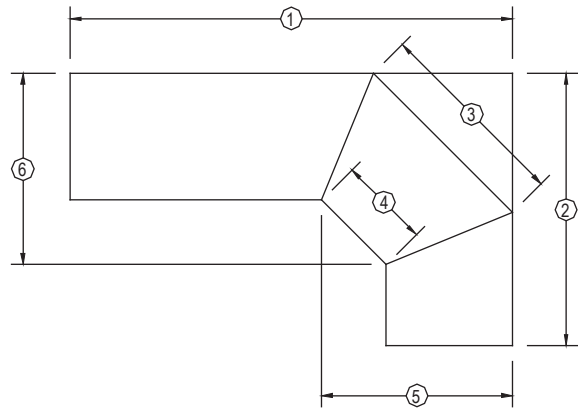
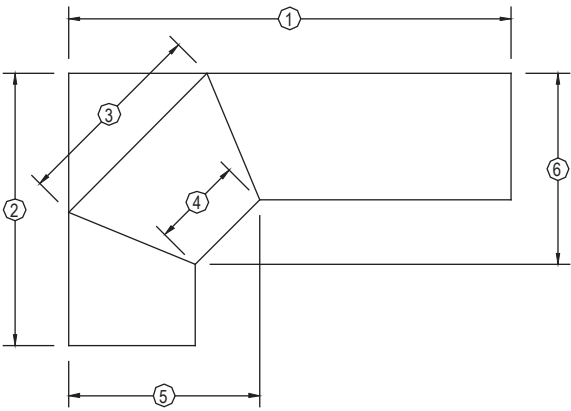


Templates for Ordering & Measuring



Dimension Verification

- * Please specify cabinet or countertop dimensions
- * Note: on 22.5° corners and on counters with attached islands, both cabinet and counter measurements will be needed
- * Designate end cap & backsplash locations